

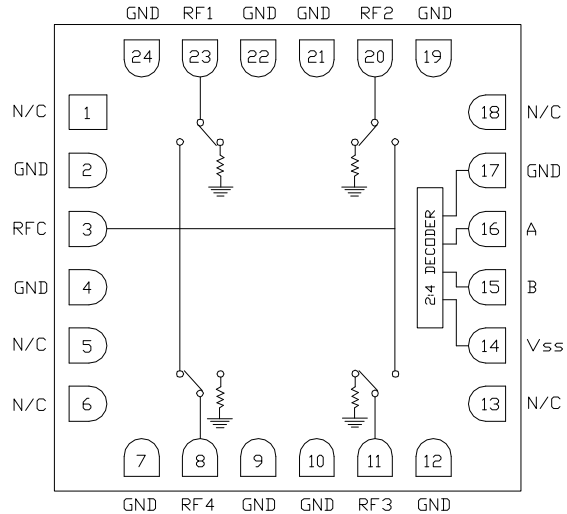
### Features

- ▶ Low loss broadband performance
- ▶ High isolation
- ▶ Non-reflective design
- ▶ Integrated 2:4 TTL decoder
- ▶ Pb-free RoHs compliant 4x4 SMT package

### Description

The CMD203C4 is a broadband MMIC SP4T switch housed in a leadless 4x4 mm surface mount package. The CMD203C4 covers DC to 20 GHz and offers a low insertion loss of 2.4 dB and high isolation of 39 dB at 10 GHz. The switch also includes an on board binary decoder circuit which reduces the number of required logic control lines from four to two. The CMD203C4 operates using complementary control voltage logic lines of 0/-5 V and consumes little DC current.

### Functional Block Diagram



### Electrical Performance - $V_{ctl} = 0/-5\text{ V}$ , $V_{SS} = -5\text{ V}$ , $T_A = 25\text{ }^\circ\text{C}$ , $F = 10\text{ GHz}$

Parameter	Min	Typ	Max	Units
Frequency Range	DC - 20			GHz
Insertion Loss		2.4		dB
Isolation		39		dB
Return Loss - On State		9		dB
Return Loss RF1, RF2, RF3, RF4 - Off State		9		dB
Input P1dB		21		dBm
Switching Speed		66		ns



# CMD203C4

## DC-20 GHz SP4T Non-reflective Switch

### Specifications

#### Absolute Maximum Ratings

Parameter	Rating
RF Input Power	+27 dBm
Bias Voltage (Vss)	-7V
Control Voltage Range (A,B)	+0.5V to -7.5V
Channel Temperature, Tch	150 °C
Operating Temperature	-40 to 85 °C
Storage Temperature	-55 to 150 °C

Operation of this device outside the maximum ratings may cause permanent damage.

#### Bias Voltage & Current

Vss Range = -5.0V ± 10%		
Vss (V)	Iss (Typ) (mA)	Iss (Max) (mA)
-5	4.5	8.0

#### TTL/CMOS Control Voltages

State	Bias Condition
Low	-1V to 0V @ 0.5 mA Typ
High	-7V to -3V @ 1 uA Typ

#### Truth Table

Control Input		Signal Path State
A	B	RFC to:
High	High	RF1
Low	High	RF2
High	Low	RF3
Low	Low	RF4

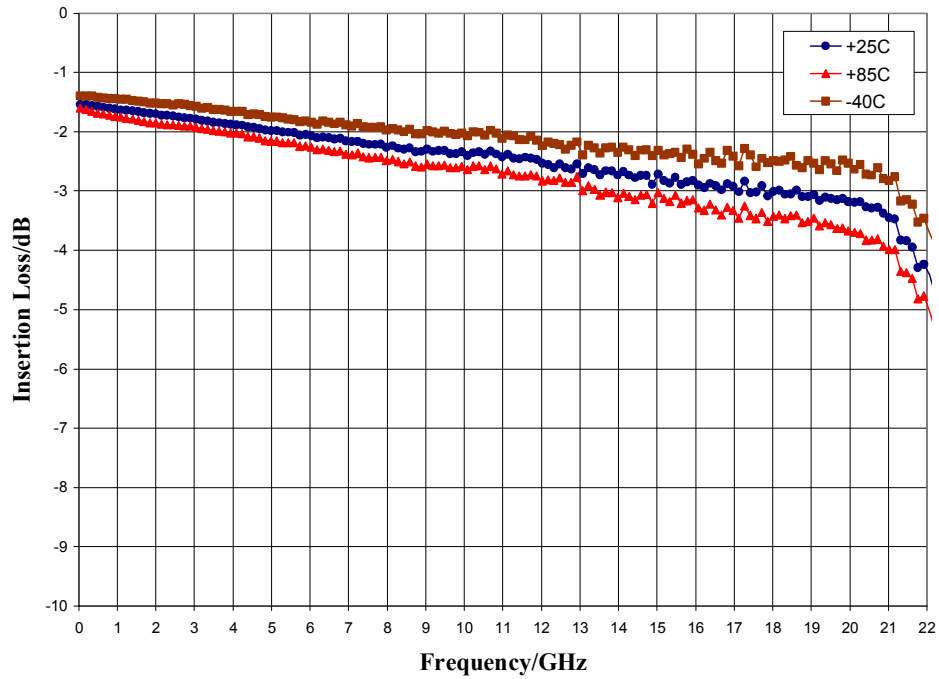
#### Electrical Specifications - $V_{ctl} = 0/-5 V$ , $V_{ss} = -5 V$ $T_A = 25 °C$

Parameter	Min	Typ	Max	Min	Typ	Max	Min	Typ	Max	Units
Frequency Range	DC - 6			DC - 14			DC - 20			GHz
Insertion Loss		2	2.4		2.7	3.1		3.2	3.6	dB
Isolation	37	44		27	35		22	30		dB
Return Loss - On State		11			8			8		dB
Return Loss - Off State		17			14			13		dB
Input P1dB		19.5			21			22		dBm
Input IP3		28			30			30		dBm
Switching Speed		66			66			66		ns

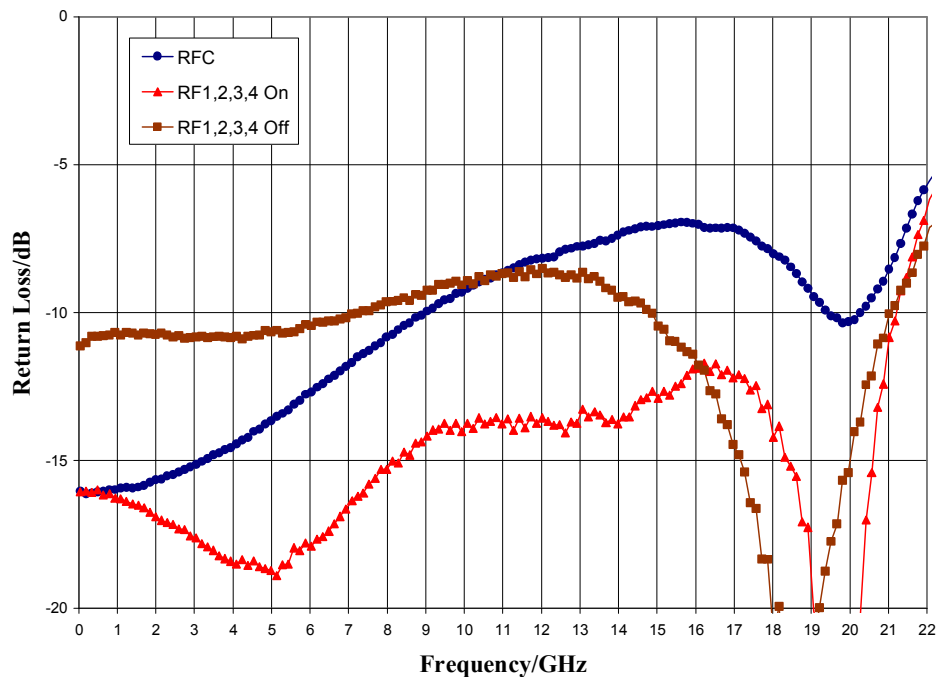
ver 1.3 0616

### Typical Performance

#### Insertion Loss vs. Temperature



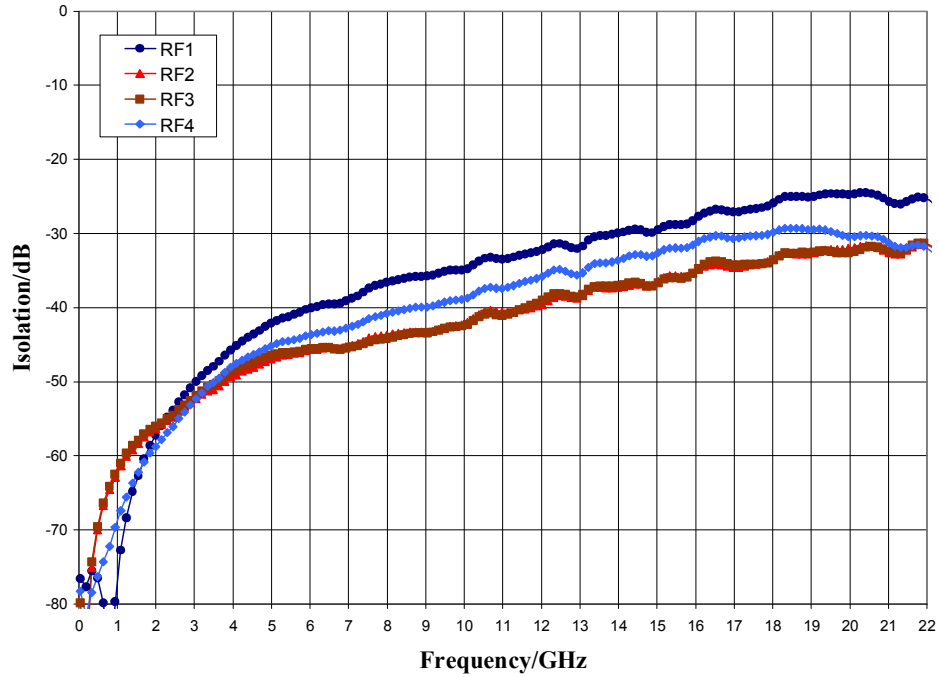
#### Return Loss



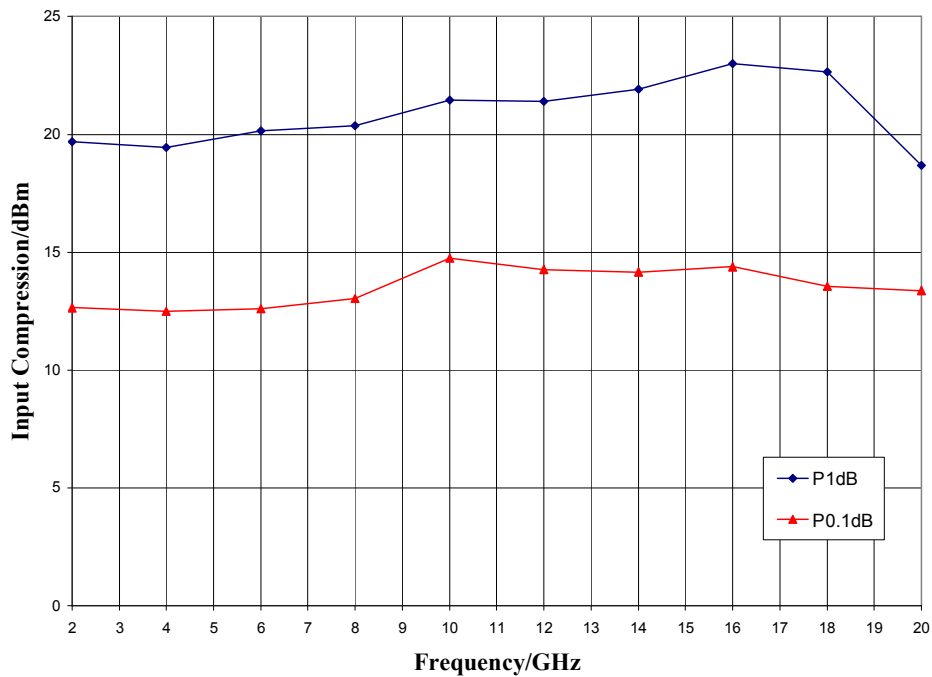
ver 1.3 0616

### Typical Performance

#### Isolation Between Ports RFC and RF1/RF2/RF3/RF4



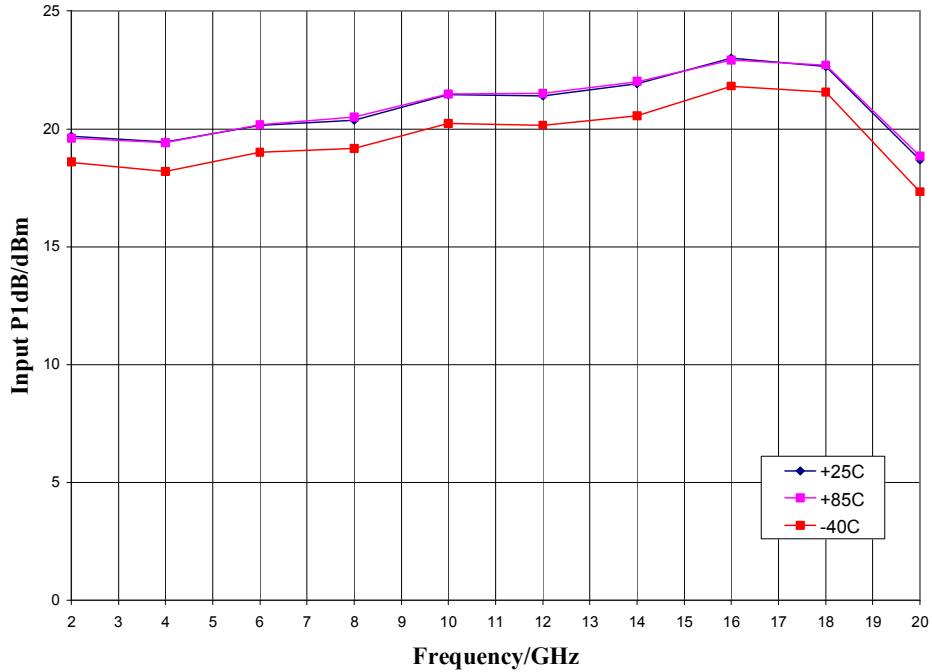
#### Input P1dB and P0.1dB Compression Point



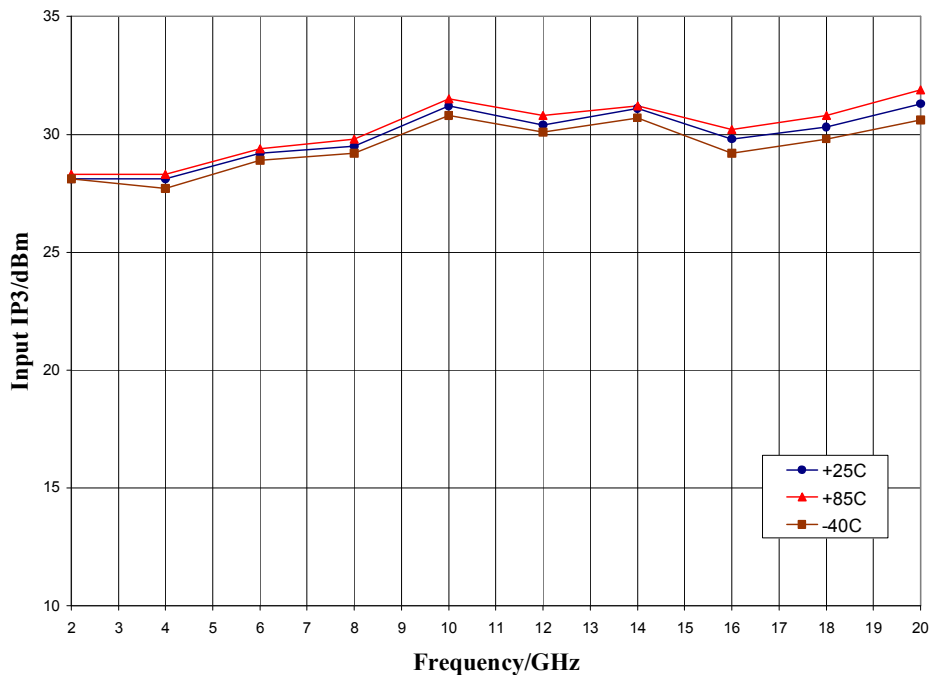
ver 1.3 0616

### Typical Performance

#### Input P1dB vs. Temperature



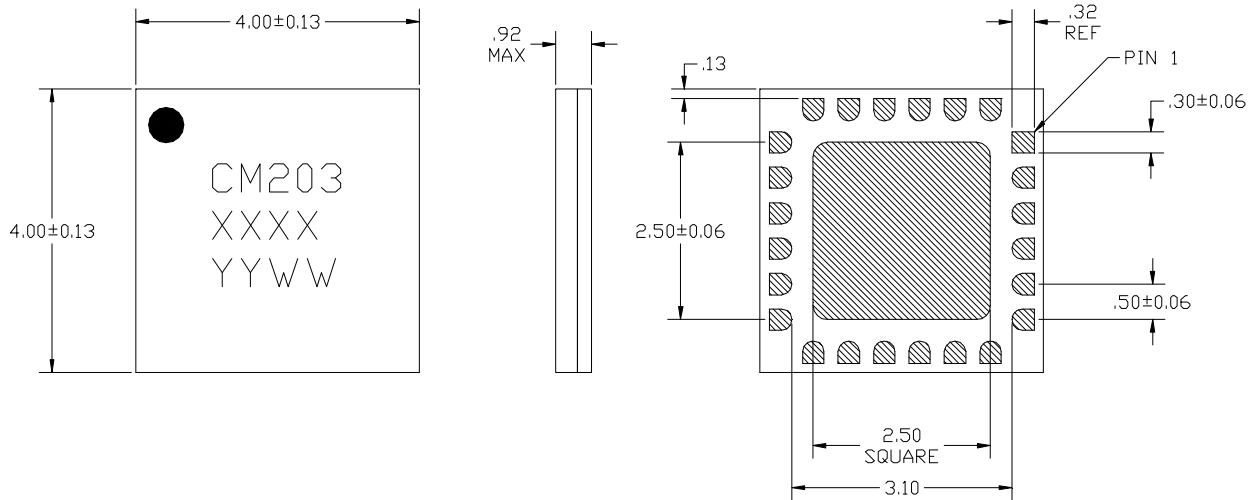
#### Input Third Order Intercept Point vs. Temperature



ver 1.3 0616

### Mechanical Information

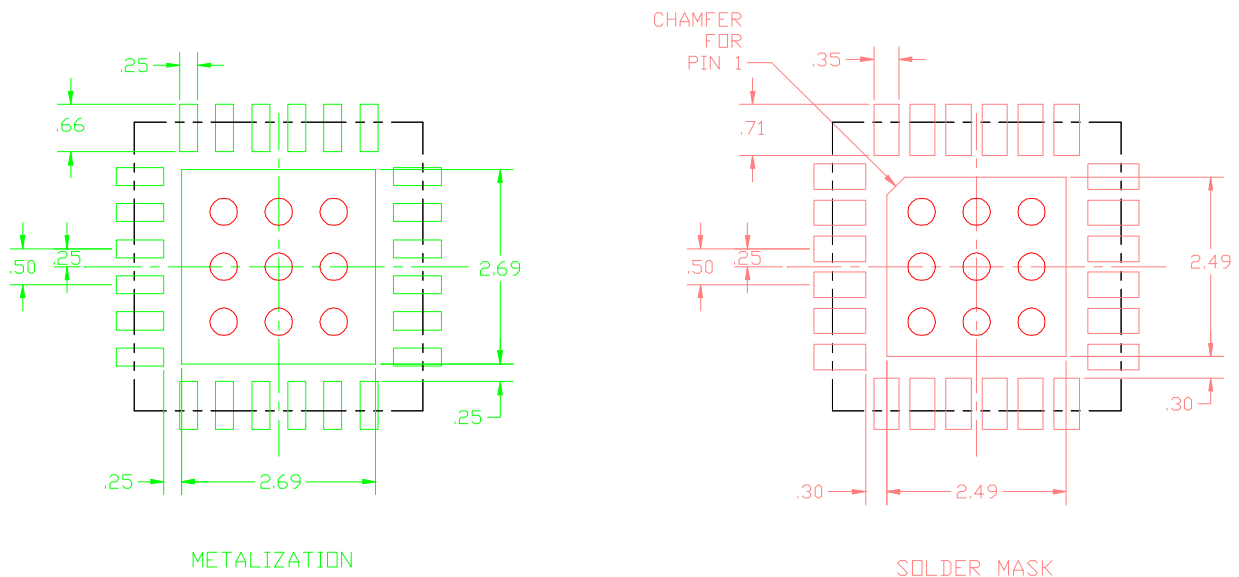
#### Package Information and Dimensions



**NOTES:**

1. DIMENSIONS ARE IN MILLIMETERS
2. MATERIAL: BLACK ALUMINA
3. LEAD FINISH: 30-80 MICROINCHES GOLD OVER 50 MICROINCHES NICKEL.
4. ALTERNATE PIN #1 IDENTIFIER IS SINGLE SQUARE PAD.

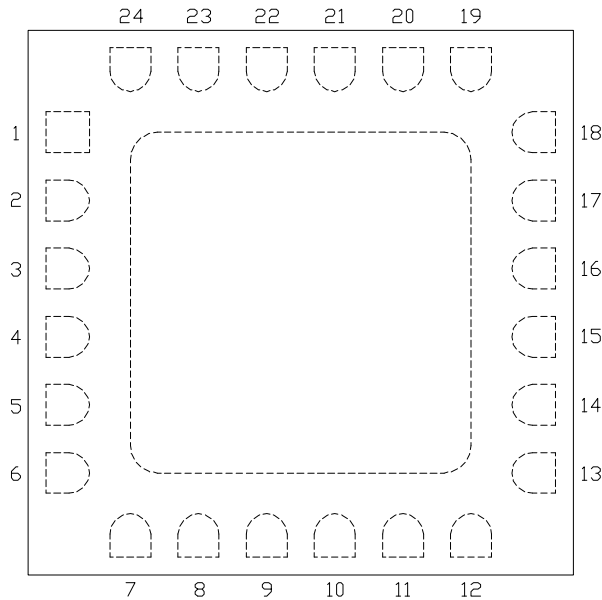
#### Recommended PCB Land Pattern



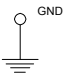
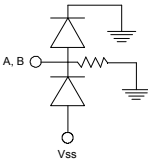
ver 1.3 0616

### Pin Description

#### Pin Diagram



#### Functional Description

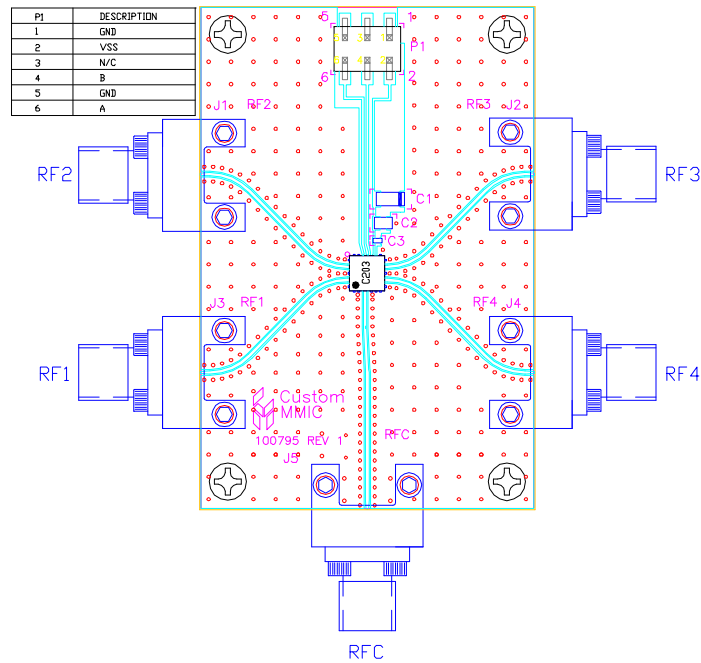
Pin	Function	Description	Schematic
1,5,6,13,18	N/C	No connection required. These pins may be connected to RF/DC ground	
2,4,7,9,10,12,17,19,21,22,24 and die paddle	Ground	Connect to RF / DC ground	
3,8,11,20,23	RFC, RF4, RF3, RF2, RF1	These pins are DC coupled and matched to 50 Ohm. Blocking capacitors are required if RF line potential is not equal to 0V	
14	Vss	Power supply voltage	
15	CTLB	See truth table and control voltage table	
16	CTLA	See truth table and control voltage table	

ver 1.3 0616

### Applications Information

#### Evaluation Board

The circuit board shown has been developed for optimized assembly at Custom MMIC. A sufficient number of via holes should be used to connect the top and bottom ground planes. As surface mount processes vary, careful process development is recommended.



#### Bill of Material

Designator	Value	Description
J1 - J5		SMA End Launch Connector
P1		6 Pin Header
C1	0.33 $\mu$ F	Capacitor, Tantalum
C2	1000 pF	Capacitor, 0603
C3	100 pF	Capacitor, 0402
U1		CMD203C4 SP4T Switch
PCB		100795 Evaluation PCB

**GaAs MMIC devices are susceptible to damage from Electrostatic Discharge. Proper precautions should be observed during handling, assembly and test.**

ver 1.3 0616