

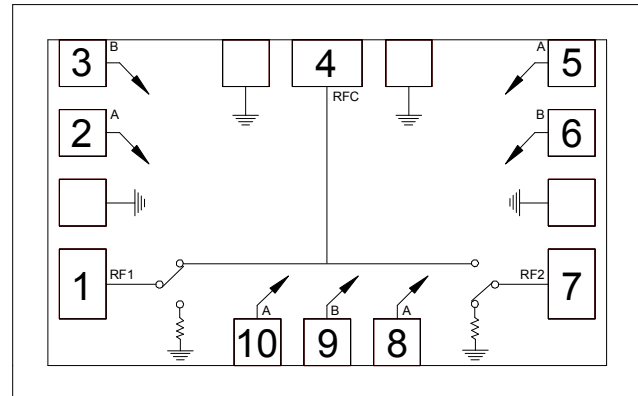
### Features

- ▶ Low loss broadband performance
- ▶ High isolation
- ▶ Fast switching speed
- ▶ Non-reflective design
- ▶ Small die size

### Description

The CMD196 is a general purpose broadband high isolation non-reflective MMIC SPDT switch in die form. Covering DC to 28 GHz, the CMD196 features a low insertion loss of 1.75 dB and high isolation of 46 dB at 14 GHz. The CMD196 operates using complementary control voltage logic lines of 0/-5 V and requires no bias supply.

### Functional Block Diagram



### Electrical Performance - $V_{ctl} = 0/-5\text{ V}$ , $T_A = 25\text{ }^\circ\text{C}$ , $F = 14\text{ GHz}$

Parameter	Min	Typ	Max	Units
Frequency Range	DC - 28			GHz
Insertion Loss		1.75		dB
Isolation		46		dB
Return Loss - On State		15		dB
Return Loss RF1, RF2 - Off State		25		dB
Input P1dB		23		dBm
Switching Speed		1.8		ns

### Specifications

#### Absolute Maximum Ratings

Parameter	Rating
RF Input Power	+27 dBm
Control Voltage Range (A,B)	+0.5V to -7.5V
Channel Temperature, T <sub>ch</sub>	150 °C
Operating Temperature	-55 to 85 °C
Storage Temperature	-55 to 150 °C

Operation of this device outside the maximum ratings may cause permanent damage.

#### Control Voltages

State	Bias Condition
Low	0 to -0.5V @ 1 uA Typ
High	-3V @ 1 uA Typ to -7V @ 6 uA Typ

#### Truth Table

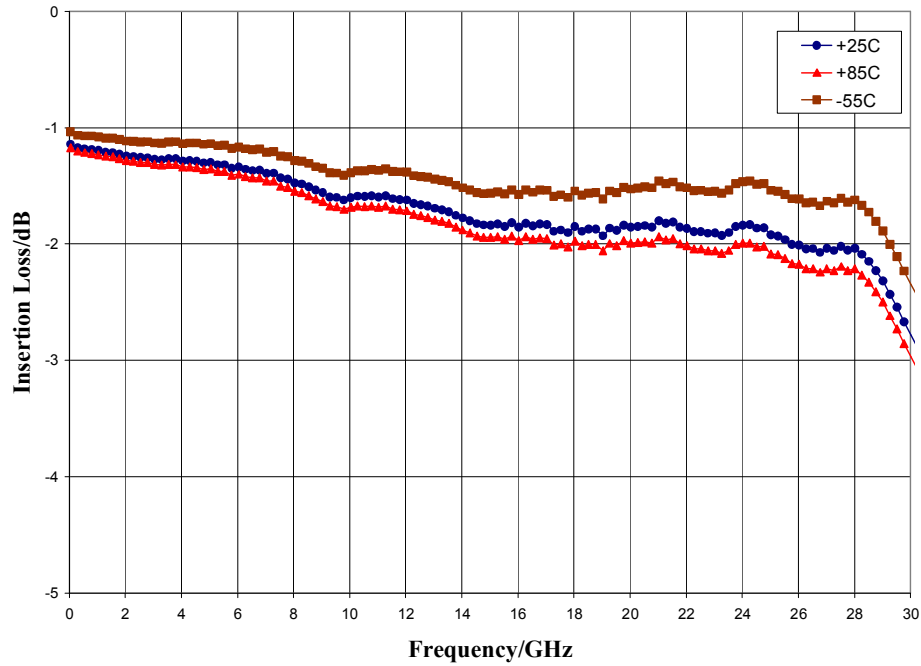
Control Input		Signal Path State	
A	B	RFC to RF1	RFC to RF2
High	Low	On	Off
Low	High	Off	On

#### Electrical Specifications - V<sub>ctl</sub> = 0/-5 V, T<sub>A</sub> = 25 °C

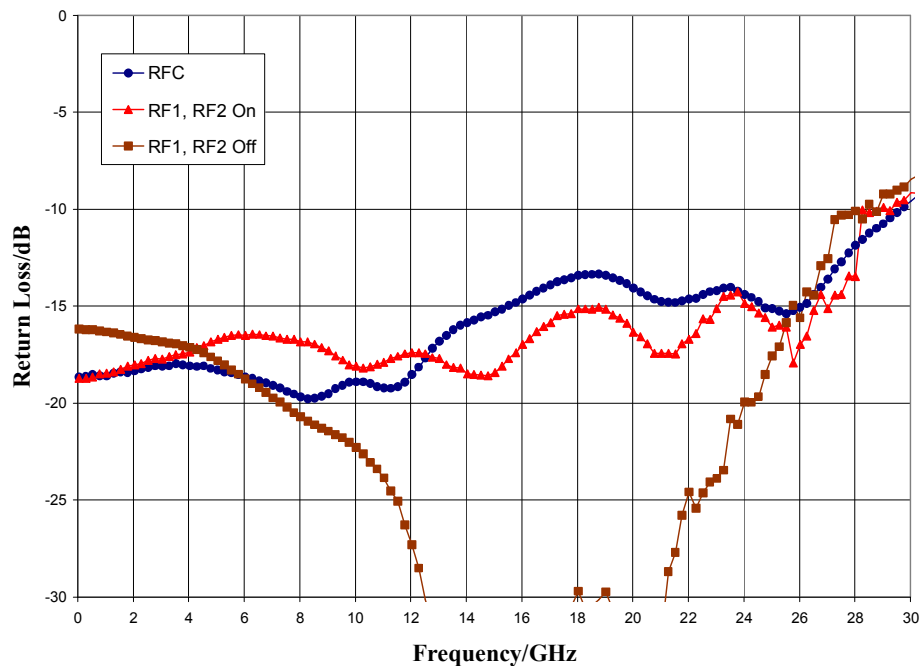
Parameter	Min	Typ	Max	Min	Typ	Max	Min	Typ	Max	Units
Frequency Range	DC - 8			DC - 20			DC - 28			GHz
Insertion Loss		1.5	1.9		1.8	2.2		2.0	2.5	dB
Isolation	45	50		37	42		30	35		dB
Return Loss - On State		18			15			12		dB
Return Loss - RF1, 2 - Off State		17			25			15		dB
Input P1dB		23			23			23		dBm
Input IP3		37			38			38		dBm
Switching Speed		1.8			1.8			1.8		ns

### Typical Performance

#### Insertion Loss vs. Temperature



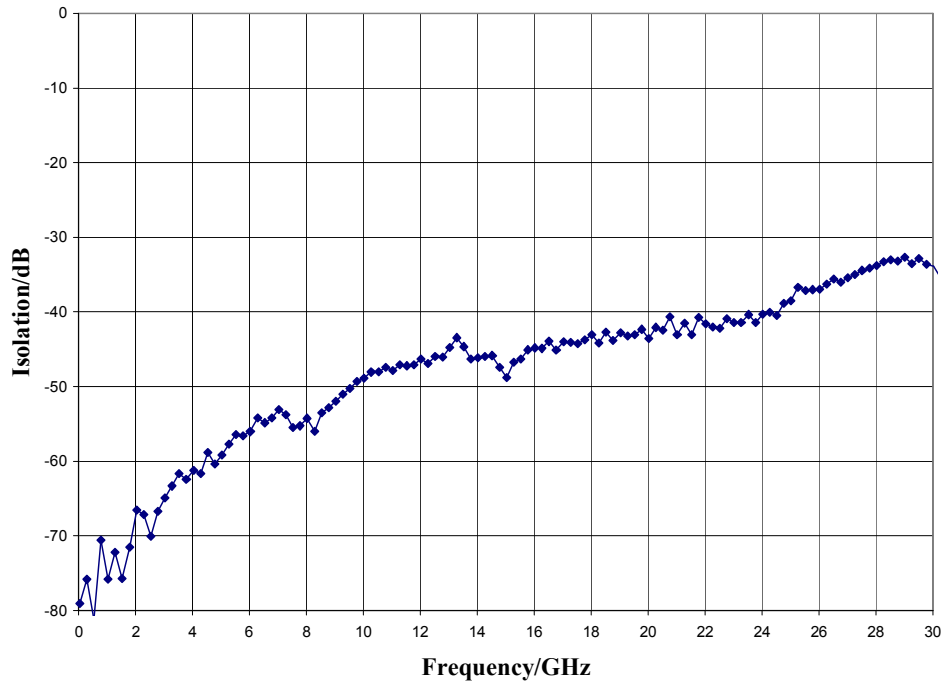
#### Return Loss



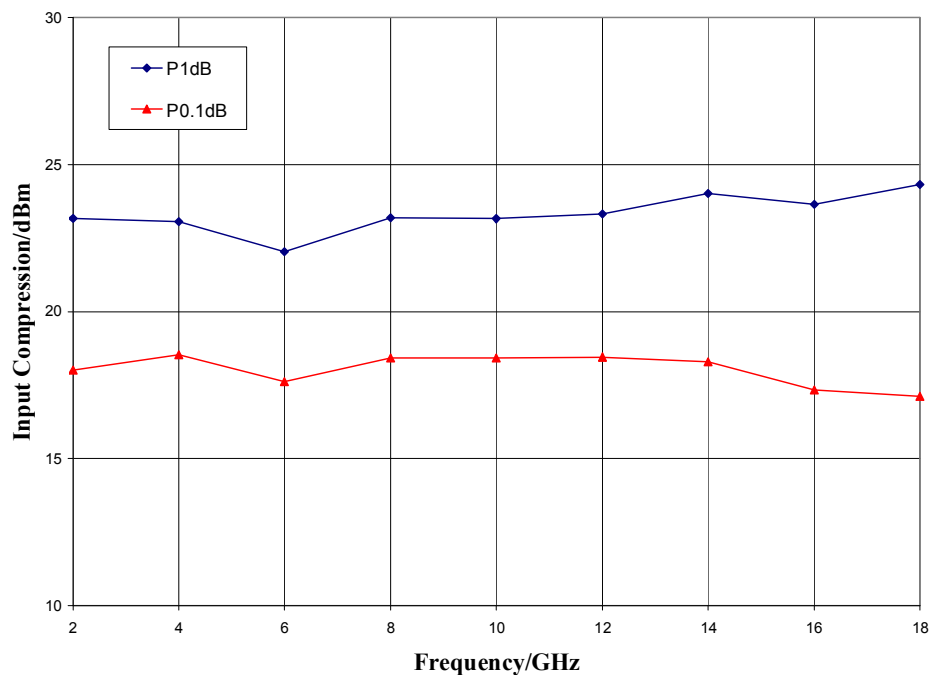
ver 1.4 0616

### Typical Performance

#### Isolation Between Ports RFC and RF1/RF2



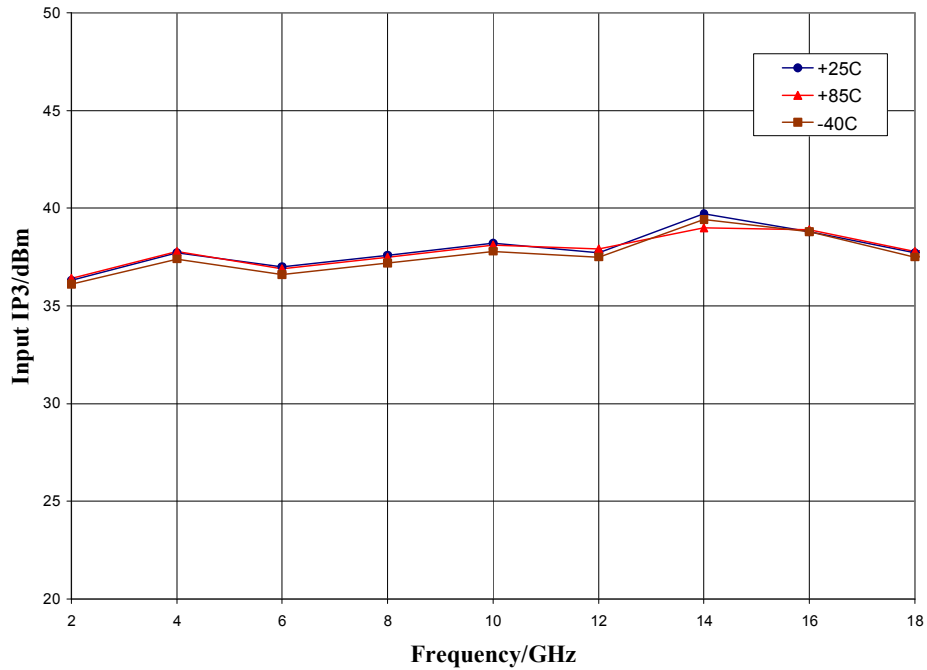
#### Input P1dB and P0.1dB Compression Point



ver 1.4 0616

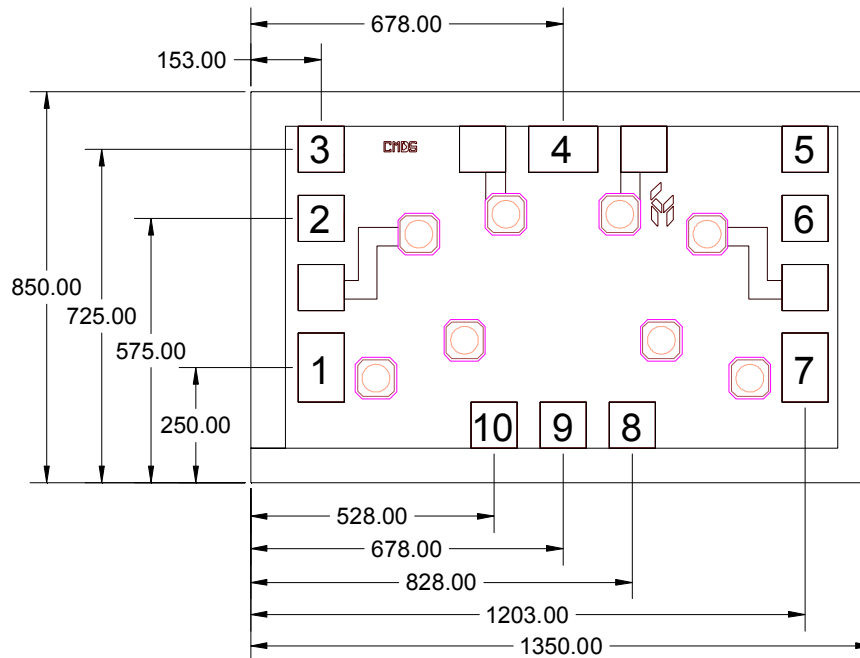
### Typical Performance

#### Input Third Order Intercept Point



### Mechanical Information

#### Die Outline (all dimensions in microns)

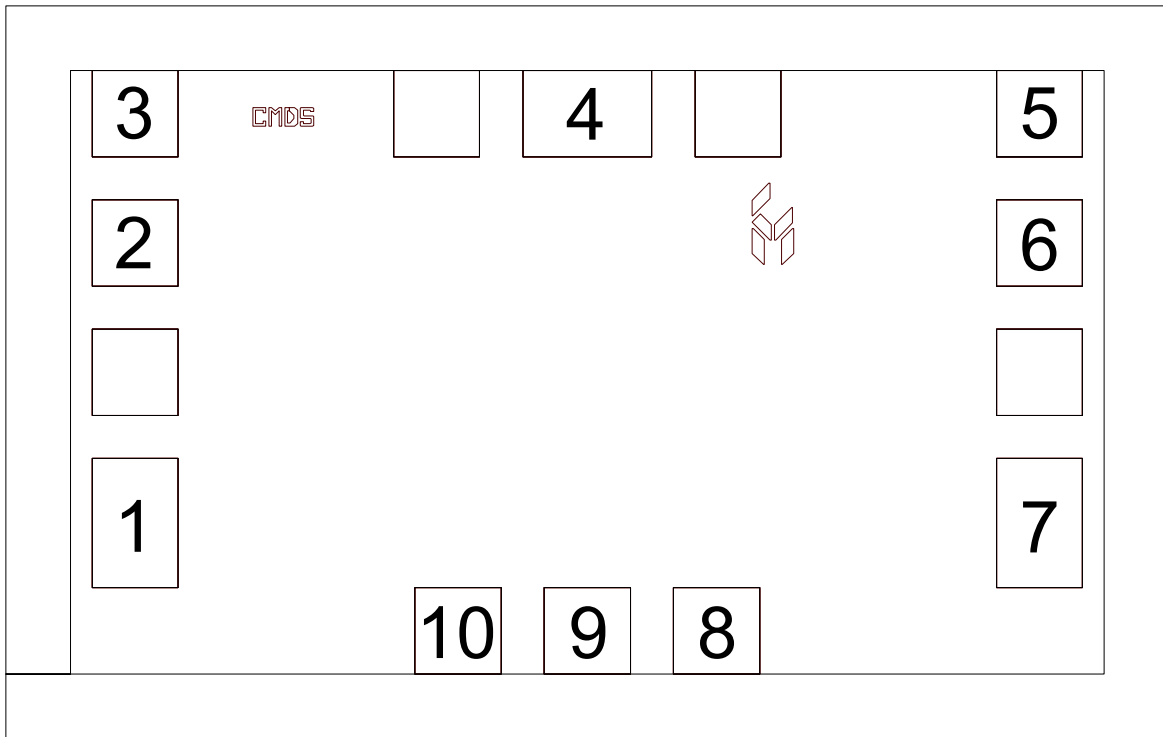


Notes:

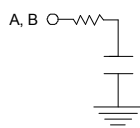
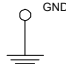
1. No connection required for unlabeled pads
2. Backside is RF and DC ground
3. Backside and bond pad metal: Gold
4. Die is 85 microns thick
5. DC bond pads are 100 microns square

### Pad Description

### Pad Diagram



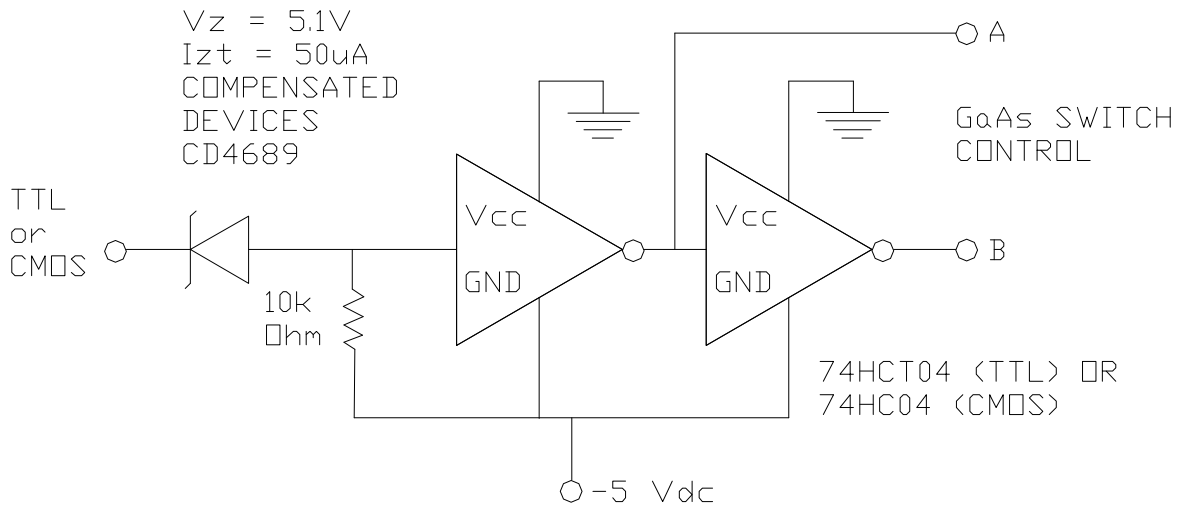
### Functional Description

Pin	Function	Description	Schematic
1, 4, 7	RF1, RFC, RF2	These pins are DC coupled and matched to 50 Ohm. Blocking capacitors are required if RF line potential is not equal to 0V	
2, 5, 8, 10	CTRLA	See truth table and control voltage table	
3, 6, 9	CTRLB	See truth table and control voltage table	
Backside	Ground	Connect to RF / DC ground	

ver 1.4 0616

### Applications Information

#### Suggested Driver Circuit



**GaAs MMIC devices are susceptible to damage from Electrostatic Discharge. Proper precautions should be observed during handling, assembly and test.**

ver 1.4 0616



### Applications Information

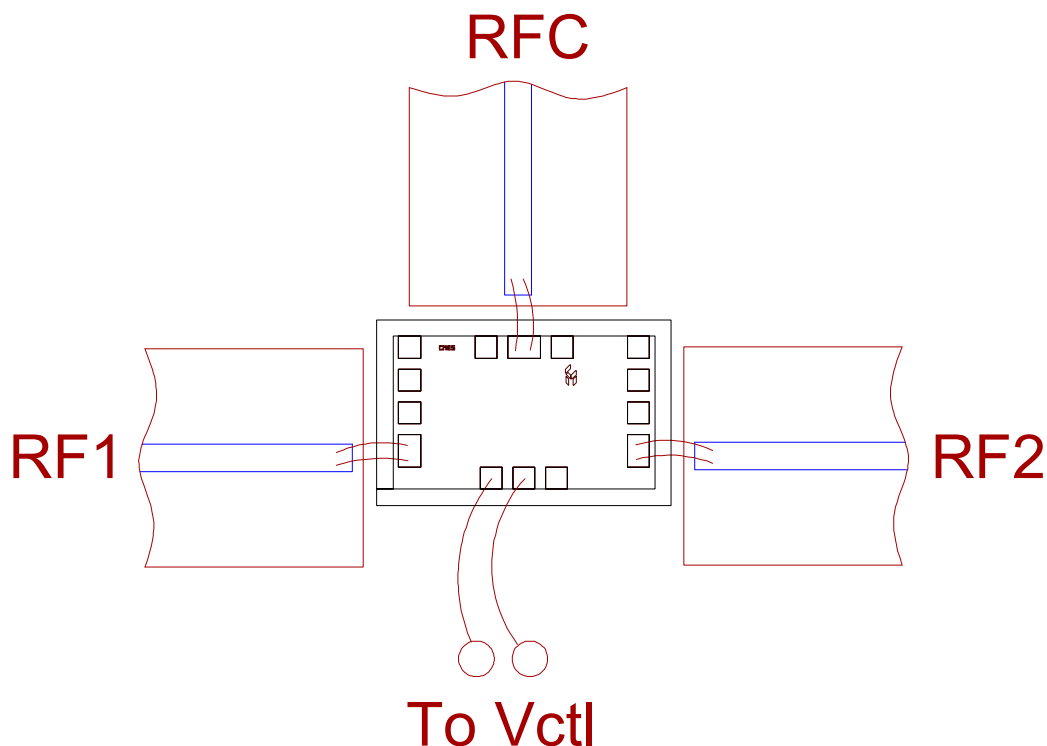
#### Assembly Guidelines

The backside of the CMD196 is RF ground. Die attach should be accomplished with electrically and thermally conductive epoxy only. Eutectic attach is not recommended. Standard assembly procedures should be followed for high frequency devices. The top surface of the semiconductor should be made planar to the adjacent RF transmission lines, and the RF decoupling capacitors placed in close proximity to the DC connections on chip.

RF connections should be made as short as possible to reduce the inductive effect of the bond wire. Use of a 0.8 mil thermosonic wedge bonding is highly recommended as the loop height will be minimized. The RF inputs and outputs require a double bond wire as shown.

The semiconductor is 85  $\mu\text{m}$  thick and should be handled by the sides of the die or with a custom collet. Do not make contact directly with the die surface as this will damage the monolithic circuitry. Handle with care.

#### Assembly Diagram



ver 1.4 0616